

Product: TONIC 2.0 suspended downlight only



LED

**Description:**

TONIC 2.0 makes for a more productive office environment. Very low glare from the use of nano prismatic optics means less fatigue for people. The ability to integrate a variety of sensors and devices makes the TONIC an extremely versatile luminaire.

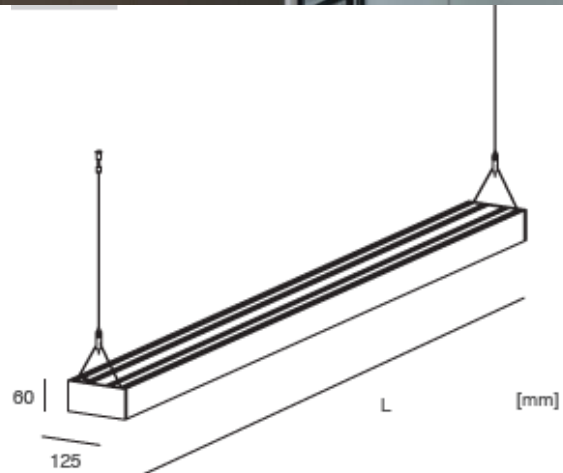
UGR<18 with uniform spread of light across the optic.

**Physical attributes:**

|                   |                |
|-------------------|----------------|
| Width:            | 125mm          |
| Cutout:           | none           |
| Height:           | 60mm           |
| Ceiling type:     | any            |
| Mounting type:    | Suspended      |
| Colour finish:    | Black RAL 9005 |
| Dimming protocol: | DALI           |

**Lighting attributes:**

|                      |                   |
|----------------------|-------------------|
| LED manufacturer:    | Philips           |
| Driver manufacturer: | Philips           |
| Optics:              | Nano optics       |
| Lumen output:        | 3146 to 21780lm   |
| Power consumption:   | 26 to 180w        |
| Colour temperature:  | 3000K, 4000K      |
| Colour consistency:  | <3 Std MacAdam    |
| Colour rendering:    | Ra>80             |
| Rated LED lifetime:  | 50,000 hours      |
| Emergency pack type: | DALI EMPRO 3 hour |
| Warranty:            | 5 years           |
| Beam Angle options:  | 120 degrees       |

Efficiency in luminaire lumens per circuit watt: **121**