

www.silent.design



Granite Line



Description

Granite Line is an indoor lighting system for application in plasterboard false-ceilings, allowing both the installation of concealed fittings, and creating an effect of luminous continuity at the same time.

Lighting becomes wholly integrated: it grants a wide range of project applications, thanks to a flexible and dynamic positioning of the luminous sources.

Ideal for applications in retail and hospitality, as well as in art galleries museums and reception areas.

Granite Line consists of two sizes of extruded aluminium profiles, in black finish, with or without a 3-circuit electrified square track. The spotlights, equipped with the last generation of COB LEDs, available in two sizes, can be anchored to the track through an innovative slide fixing system. Due to this anchoring system, the light fixtures can be easily installed and repositioned.

The fittings feature an adjustable arm with triple junction, that allows movements on both axes, in addition to the 350° orientation of the head.



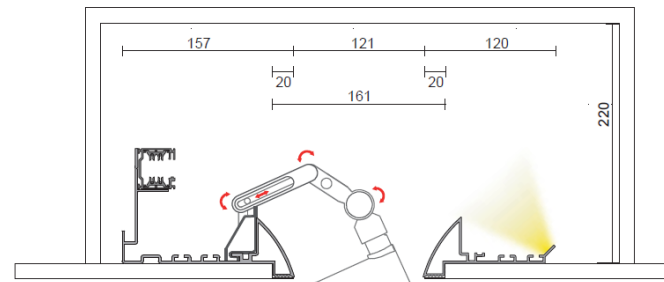
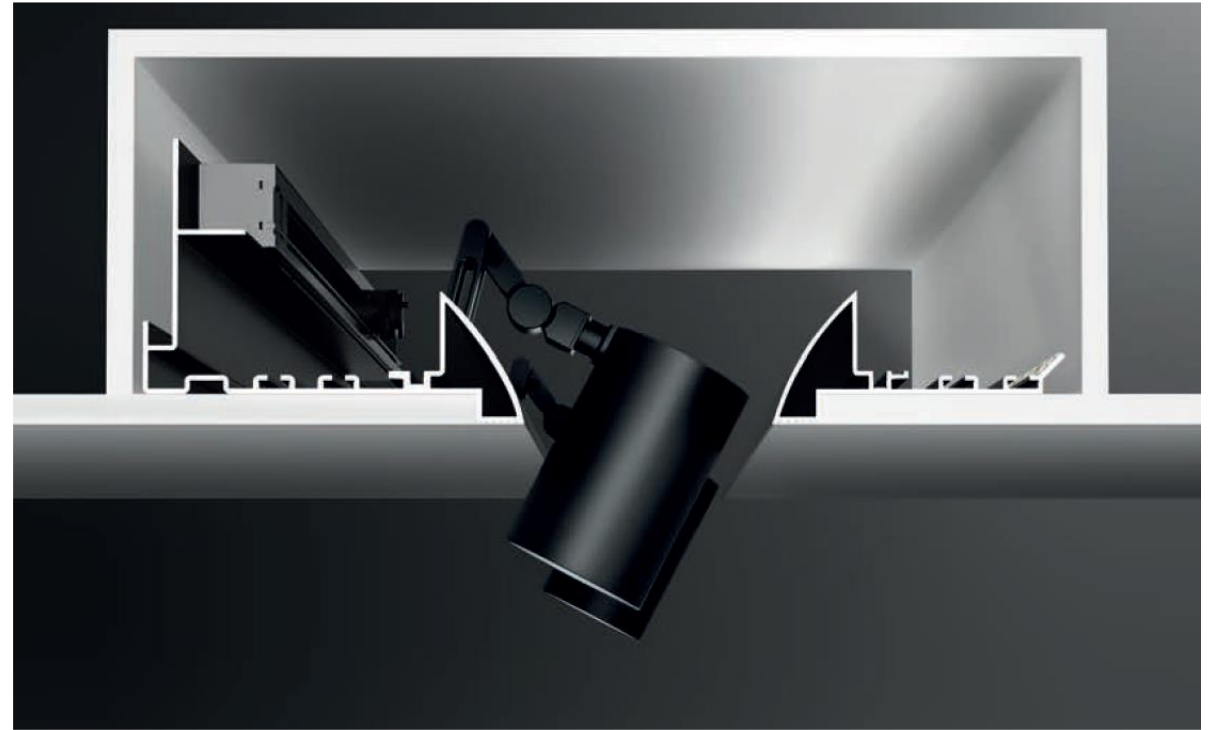
Granite Line linear profile



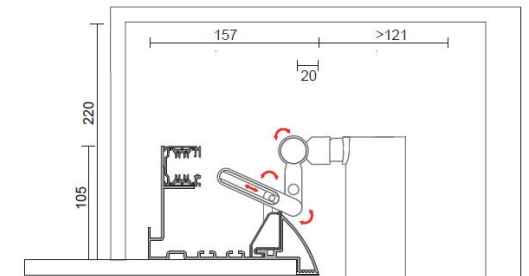
Description

Granite Line is made up of two sided linear profiles. One profile holds the track and spot mounting duties and the other completes the opposite side and can also provide space for a linear LED tape which can provide further illumination options.

Lengths of the profile are either 1300mm or 2600mm long sections. These are joined with the mechanical joining kits. The profiles can be equipped with either DALI or mains dimmable track.



Standard profiles together



Single profile

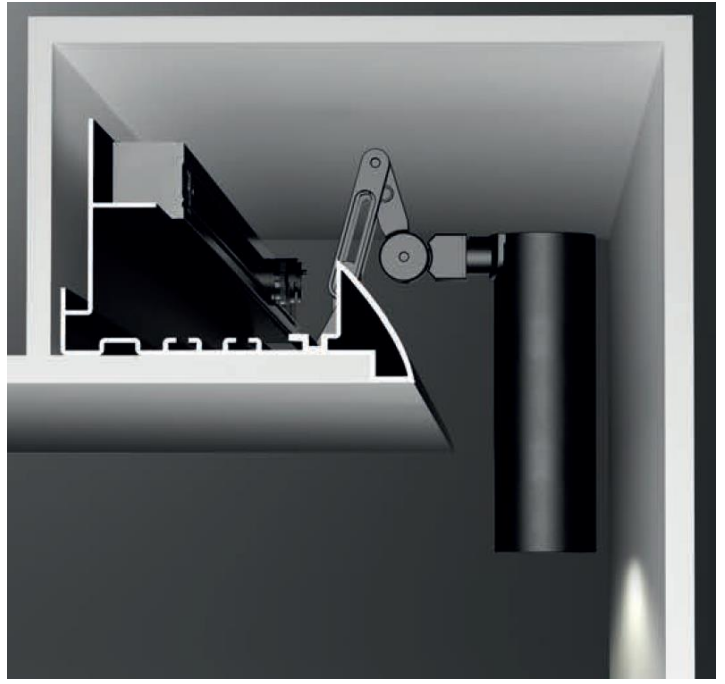
Granite Line linear profile



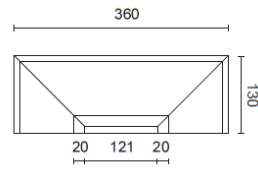
Description

Granite Line is made up of two sided linear profiles. One profile holds the track and spot mounting duties and the other completes the opposite side and can also provide space for a linear LED tape which can provide further illumination options.

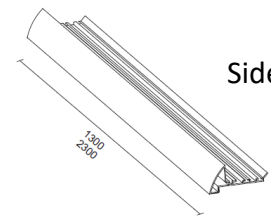
Lengths of the profile are either 1300mm or 2600mm long sections. These are joined with the mechanical joining kits. The profiles can be equipped with either DALI or mains dimmable track.



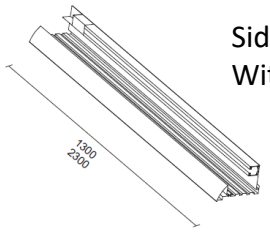
A single side maybe used when required such as against a wall.



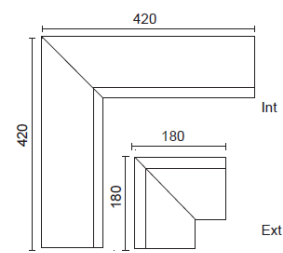
End profile



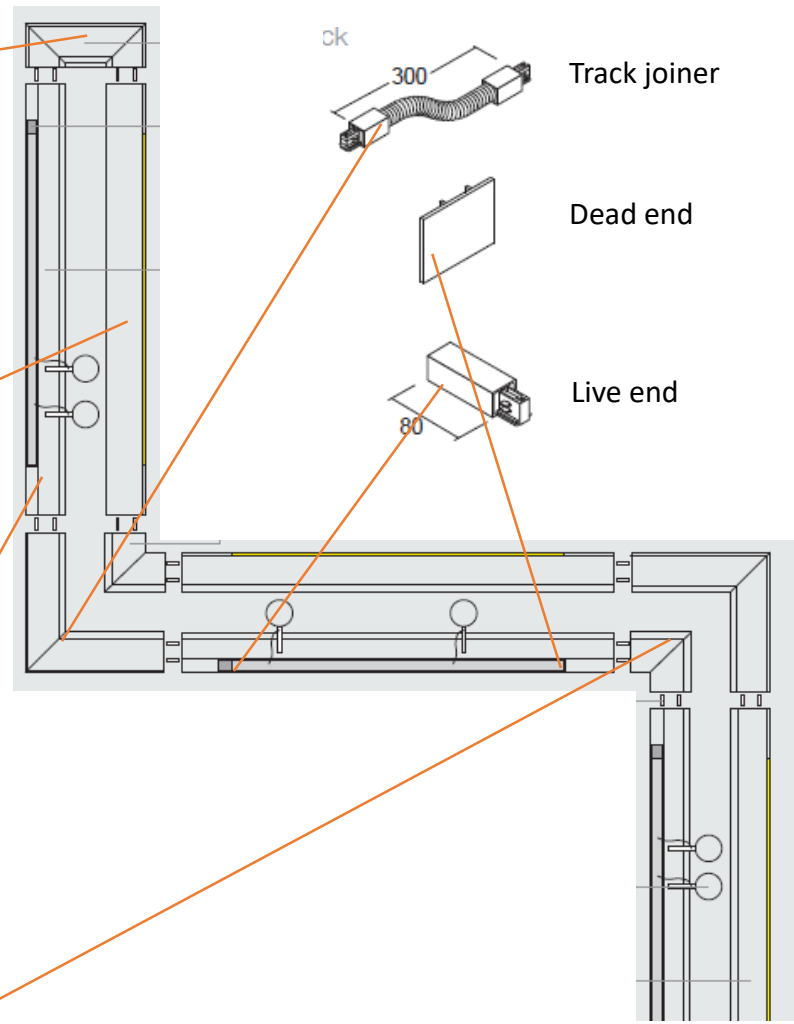
Side profile



Side profile With track



90 degree profiles



Track joiner

Dead end

Live end



Description

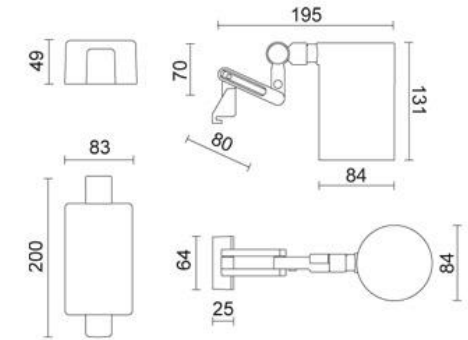
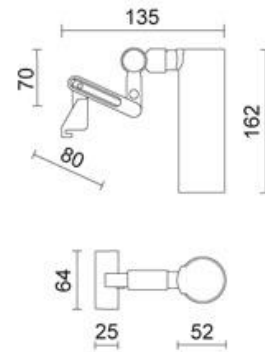
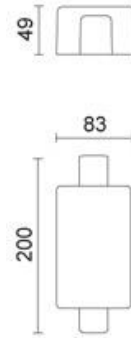
Spotlights for Granite Line lighting system, equipped with a high efficiency COB LED. It features an adjustable arm with triple junction, for cardan movements on all axes, in addition to the 350° orientation of the head. Both professional optics to get different beam angles, and optical devices for a better visual comfort are available as accessories.

Notes : Max. 5 fittings on each 1300 mm Broadway profile. Max. 10 fittings on each 2300 mm Broadway profile.



Features

- Aluminium housing
- 52mm diameter for 1000- 2500 lumens
- 84mm diameter for 3000-4500 lumens
- Black or white finish
- 3000 or 4000K
- Wide variety of accessories
- Extremely adjustable
- Beam angles from 11 degree to 70 degree
- Switching or DALI dimming



Gold reflector accessory



Glass clear lens



24 degree reflector



45 degree reflector



Extra wide reflector



Honeycomb louvre

