



Magnetrac mini track



General Lighting modules



Downlight modules



Wall wash modules



Accent / Spot light modules

Description

Magnetrac mini is a perfect integrated 48 volt lighting system. Magnetrac mini can achieve ultra compact structure and size, with a recessed, surface or suspended installation, that can be perfectly integrated into the building and has minimum impact on the architecture. Minimalist extruded aluminum profile, available to be flexible and continuously connected into any lengths or shapes.

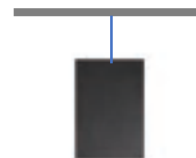
Versatile LED lighting modules are provided for varying combinations with tool-free installation for all kinds of applications: General Lighting, Accent Lighting, Wall-washing. Magnetrac not only means minimalistic lighting features but also high quality workmanship.



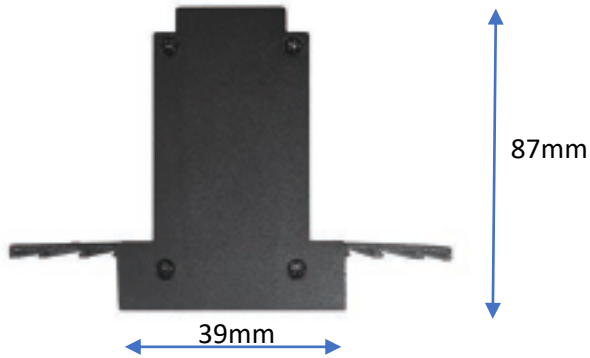
Magnetic track. recessed trimless mounting



Magnetic track. Surface mounting



Magnetic track. Suspended mounting

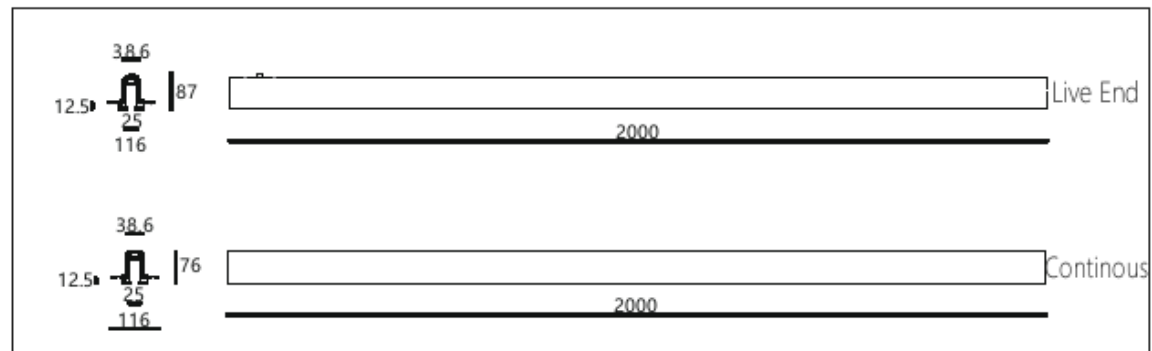
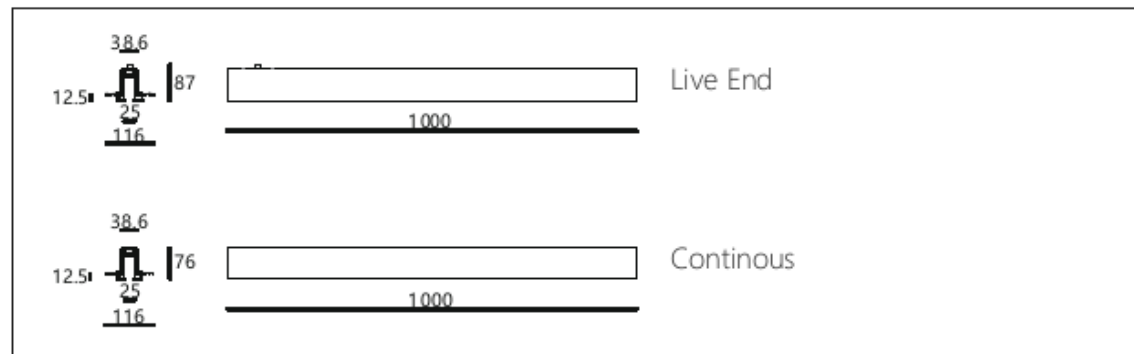
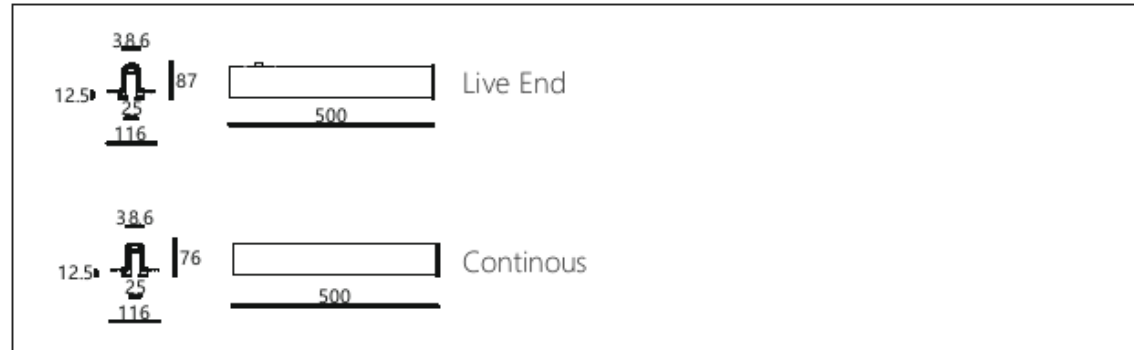


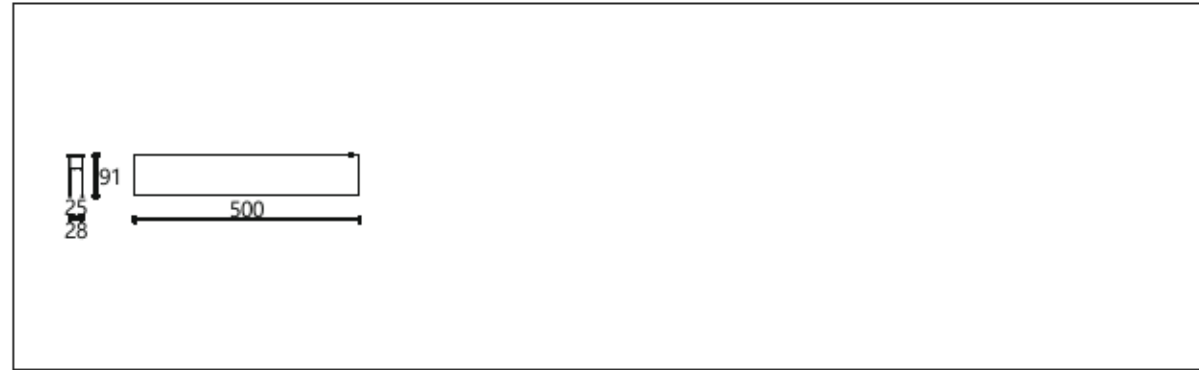
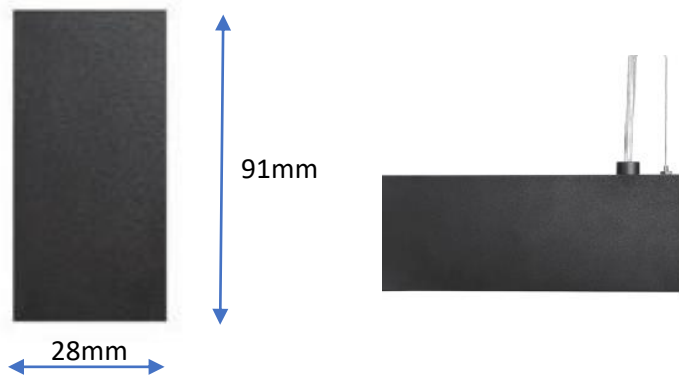
Description

Low-voltage Magnet Track. With its trimless structure, Magnetrac mini will be seamlessly integrated into architecture, and provide different lighting options and moods. Meanwhile, accessories for the structure and electrical connection are also provided to guarantee a seamless installation

Features

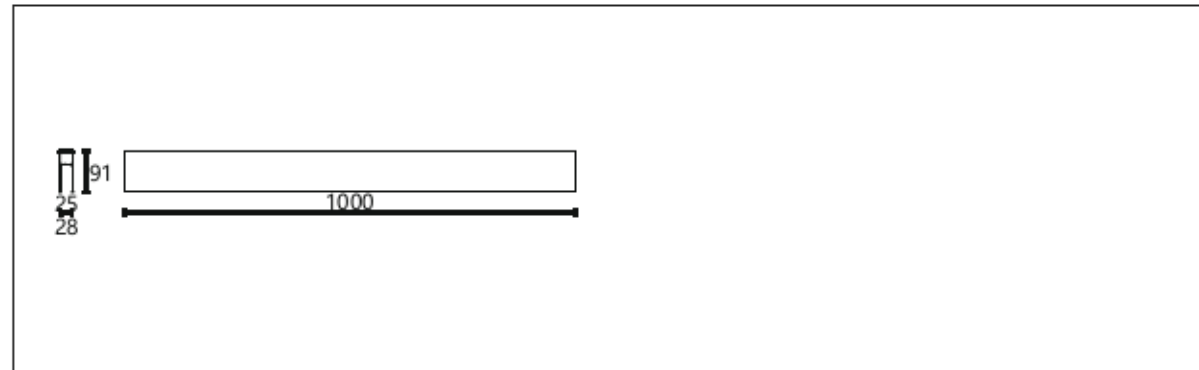
- Aluminium profile
- Width of inner space 25mm.
- Available in 0.5m, 1m, 2m
- Continuous or single runs
- DALI track or switching
- Cutout 40mm wide
- Black or White finish
- 90 degree corner also available





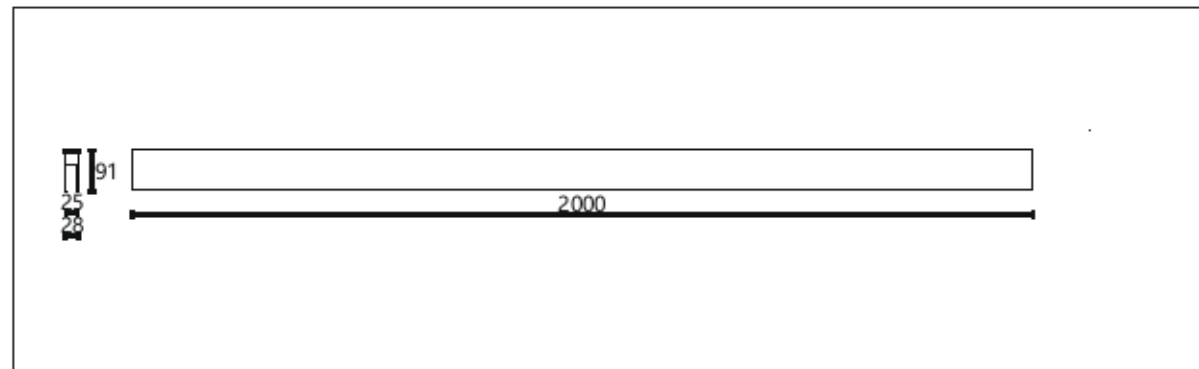
Description

Low-voltage Magnet Track. With its surface structure, Magentrac mini will be seamlessly integrated into architecture, and provide different lighting options and moods. Meanwhile, accessories for the structure and electrical connection are also provided to guarantee a seamless installation



Features

- Aluminium profile
- Width of inner space 25mm.
- Available in 0.5m, 1m, 2m
- Continuous or single runs
- DALI track or switching
- Surface or suspended
- Black or White finish
- 90 degree corners also available

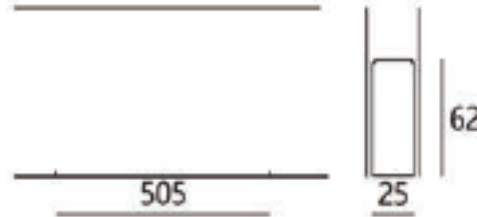




Description

General Lighting luminaires not only provide basic lighting but also serve as a functional spatial guidance in interior space. Supporting connection into the lighting system to achieve illumination, correct color temperature and dimming. Unique optic-grade diffuser design to guarantee a seamless continuous connection.

Easy to install on the mini low-voltage magnetic track system



Features

- Aluminium profile
- 25mm wide to be mounted in mini track
- Available in 0.5m modules
- Continuous or single runs
- DALI track or switching
- Black or White finish
- Beam angle 105 degrees
- High visual comfort
- 3000K or 4000K ra>90
- 7w LED 700lm

When multiple luminaires need to be spliced continuously, a 30-metre long diffuser for easy installation
To create a seamless continuous LED light line will be supplied separately by silent



Description

Providing uniform linear wall wash without hotspots and also serving as a functional spatial guidance in interior space, and support being connected into lighting system to achieve illumination, correct color temperature and dimming. Unique optic-grade diffuser design to guarantee a seamless continuous connection.

Easy to install on the mini low-voltage magnetic track system



60mm

161mm



BB – Black with black louver



BS-Black with silver louver



WB-White with black louver



WS-White with silver louver

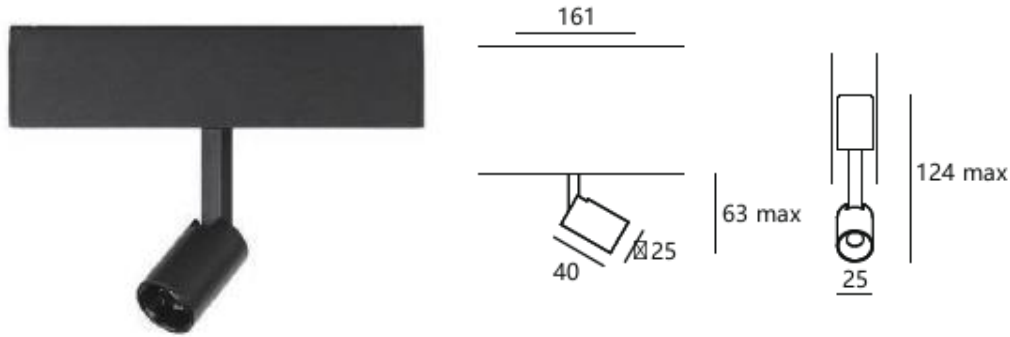
Description

Downlight luminaires utilize anti-glare optical technologies, combined with special designed round louvers to perform various light distributions. Multiple types of anti-glare technologies are employed to enhance visual comfort.

Easy to install on the mini low-voltage magnetic track system

Features

- Aluminium profile
- 25mm wide to be mounted in mini track
- Available in 161mm modules
- Continuous or single runs
- DALI track or switching
- Black with white or silver louver
- White with black or silver louver
- Beam angle 18, 36 degrees
- High visual comfort
- 3000K or 4000K ra>90
- 7w LED 660lm



Description

The miniature adjustable spot utilizes anti-glare optical technologies, combined with special designed reflectors to perform various light distributions. Multiple types of anti-glare technologies are employed to enhance visual comfort. Easy to install on the Magnetrac mini low-voltage magnetic track system

Features

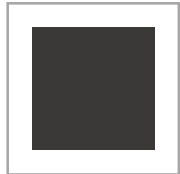
- Aluminium housing
- 25mm wide to be mounted in mini track
- Available in 161mm modules
- 0-90 degree tilt
- 360 degree rotate
- DALI track or switching
- Beam angle 18, 25,34 degrees
- Anti glare design
- 3000K or 4000K ra>90
- 3.5w LED 220lm



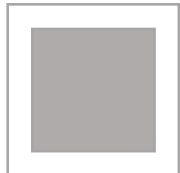
BB – Black with black reflector



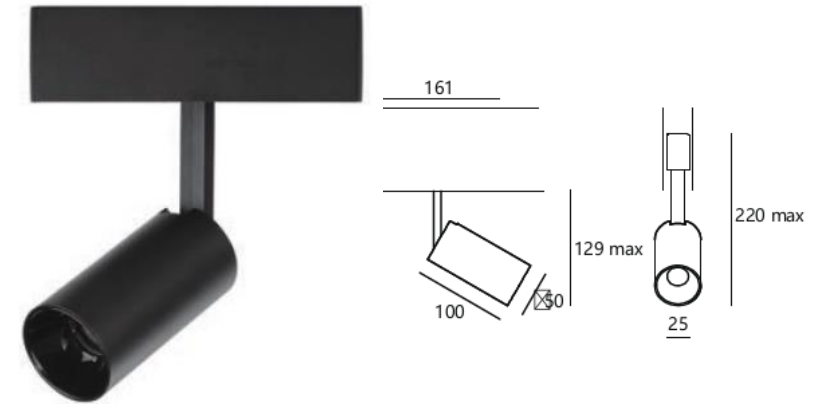
BS-Black with silver reflector



WB-White with black reflector



WS-White with silver reflector



Description

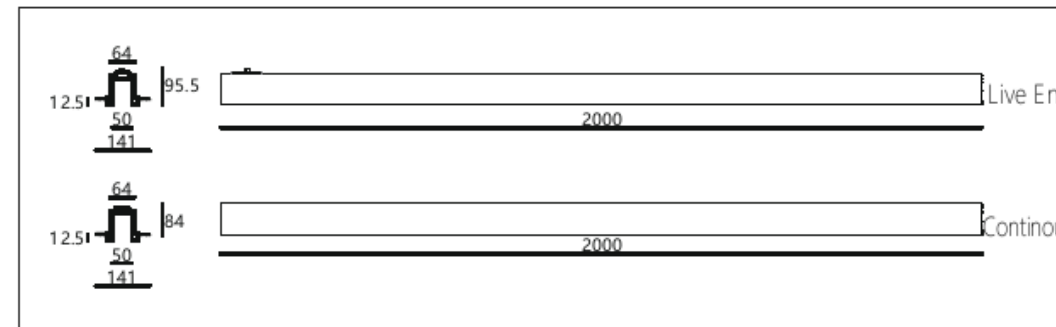
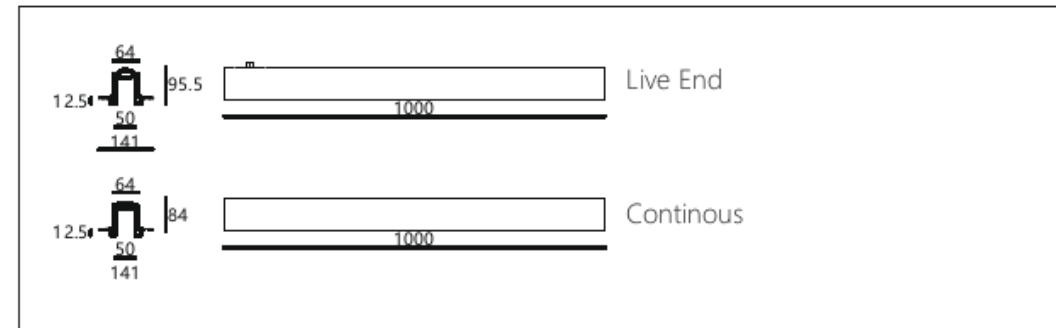
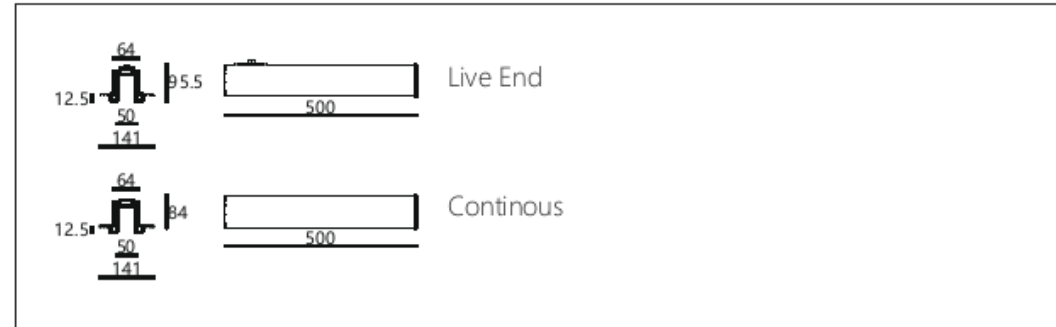
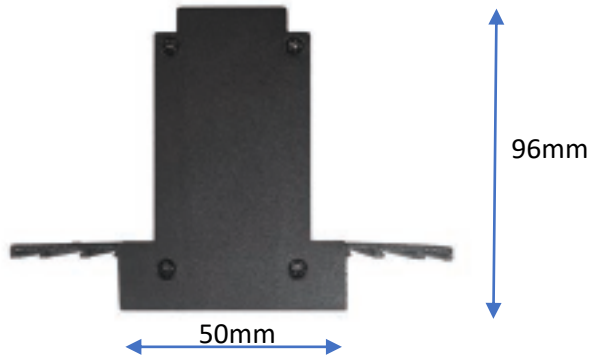
The small 50mm diameter adjustable spot utilizes anti-glare optical technologies, combined with special designed reflectors to perform various light distributions. Multiple types of anti-glare technologies are employed to enhance visual comfort. Easy to install on the mini low-voltage magnetic track system

Features

- Aluminium housing
- 50mm wide to be mounted in BSYS mini track
- Available in 161mm modules
- 0-90 degree tilt
- 360 degree rotate
- DALI track or switching
- Beam angle 18, 25,40 degrees
- Anti glare design
- 3000K or 4000K ra>90
- 8w LED 550lm



Magnetrac pro track

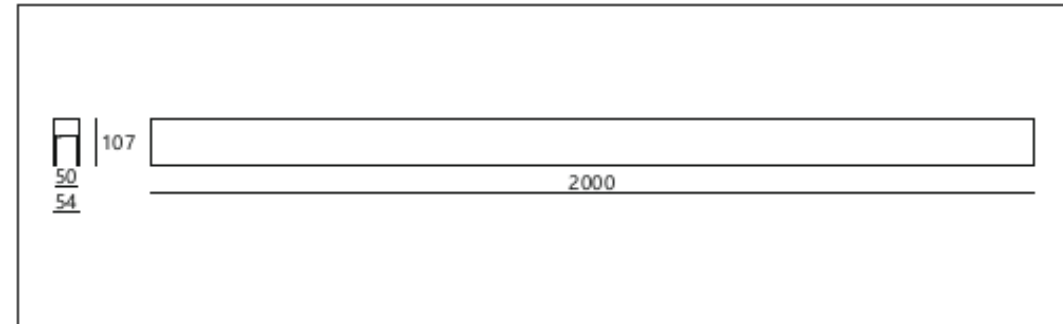
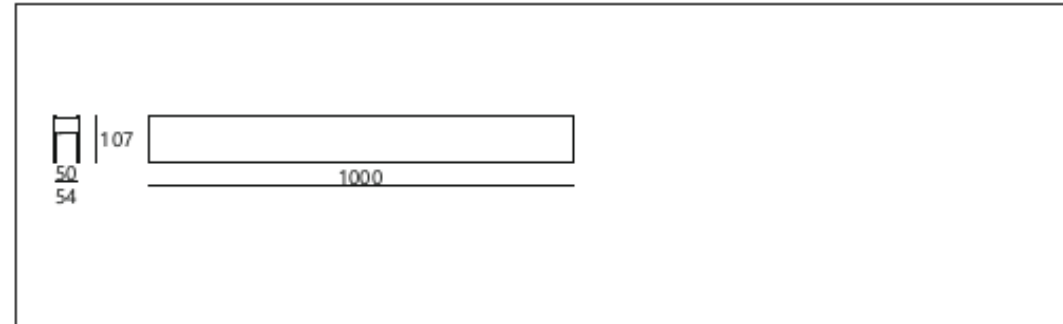
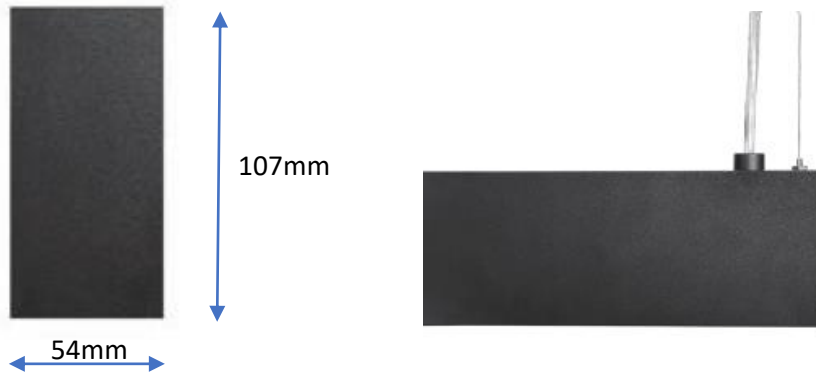


Description

Low-voltage Magnet Track. With its trimless structure, Magnetrac will be seamlessly integrated into the architecture, and provide different lighting options and moods. Meanwhile, accessories for structure and electrical connection are also provided to guarantee a seamless installation

Features

- Aluminium profile
- Width of inner space 50mm.
- Available in 0.5m, 1m, 2m
- Continuous or single runs
- DALI track or switching
- Cutout 65mm wide
- Black or White finish
- 90 degree corner also available

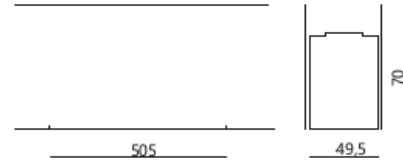


Description

Low-voltage Magnet Track. With its surface structure, Magnetrac will be seamlessly integrated into the architecture, and provide different lighting options and moods. Meanwhile, accessories for structure and electrical connection are also provided to guarantee a seamless installation

Features

- Aluminium profile
- Width of inner space 50mm.
- Available in 0.5m, 1m, 2m
- Continuous or single runs
- DALI track or switching
- Black or White finish
- 90 degree corners also available



Description

General Lighting luminaires not only provide basic lighting but also serve as a functional spatial guidance in interior space. Supporting connection into lighting system to achieve illumination, correct color temperature and dimming. Unique optic-grade diffuser design to guarantee a seamless continuous connection.

Easy to install on the Magnetrac low-voltage magnetic track system

Features

- Aluminium profile
- 50mm wide to be mounted in the track
- Available in 0.5m modules
- Continuous or single runs
- DALI track or switching
- Black or White finish
- Beam angle 105 degrees
- High visual comfort
- 3000K or 4000K ra>90
- 10w LED 950lm



When multiple luminaires need to be spliced continuously, a 30-metre long diffuser for easy installation a seamless continuous LED light line will be supplied separately by silent

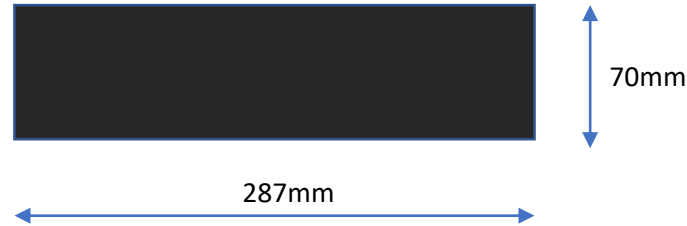
Description

Downlight luminaires with pin hole optics to perform complete glare free operation and emission of light.

Easy to install on the Magnetrac low-voltage magnetic track system

Features

- Aluminium profile
- 50mm wide to be mounted in the track
- Available in 287mm modules
- Continuous or single runs
- DALI track or switching
- Beam angle 22 degrees
- High visual comfort
- 3000K or 4000K ra>90
- 15w LED 900lm



Description

Spot light modules utilize anti-glare optical technologies, combined with special designed round louvers to perform various light distributions. Multiple types of anti-glare technologies are employed to enhance visual comfort. Easy to install on the Magnetrac low-voltage magnetic track system

Features

- Aluminium profile
- 50mm wide to be mounted in the track
- Available in 287mm modules
- Continuous or single runs
- DALI track or switching
- Black with white or silver louvre
- White with black or silver louvre
- Beam angle 12, 22,35 degrees
- High visual comfort
- 3000K or 4000K ra>90
- 15w LED 900lm



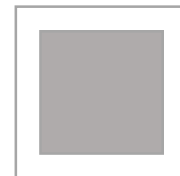
BB – Black with black louvre



BS-Black with silver louvre



WB-White with black louvre



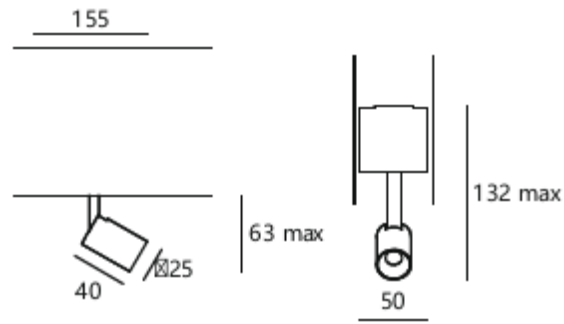
WS-White with silver louvre

Description

Downlight luminaires utilize anti-glare optical technologies, combined with special designed square louvers to perform various light distributions. Multiple types of anti-glare technologies are employed to enhance visual comfort. Easy to install on the Magnetrac low-voltage magnetic track system

Features

- Aluminium profile
- 50mm wide to be mounted in the track
- Available in 287mm modules
- Continuous or single runs
- DALI track or switching
- Black with white or silver louvre
- White with black or silver louvre
- Beam angle 12, 22,35 degrees
- High visual comfort
- 3000K or 4000K ra>90
- 15w LED 900lm



Description

The miniature adjustable spot utilizes anti-glare optical technologies, combined with special designed reflectors to perform various light distributions. Multiple types of anti-glare technologies are employed to enhance visual comfort.

Easy to install on the Magnetrac low-voltage magnetic track system

Features

- Aluminium housing
- 25mm wide to be mounted in the track
- Available in 155mm modules
- 0-90 degree tilt
- 360 degree rotate
- DALI track or switching
- Beam angle 25,34 degrees
- Anti glare design
- 3000K or 4000K ra>90
- 3.5w LED 220lm



BB – Black with black reflector



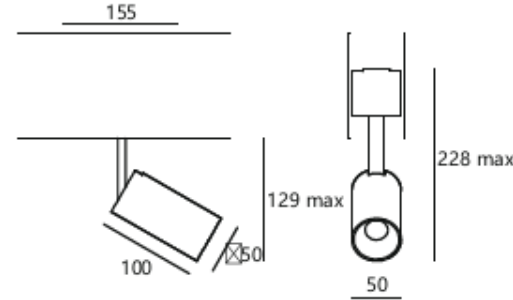
BS-Black with silver reflector



WB-White with black reflector



WS-White with silver reflector



Description

The small 50mm diameter adjustable spot utilizes anti-glare optical technologies, combined with special designed reflectors to perform various light distributions. Multiple types of anti-glare technologies are employed to enhance visual comfort.

Easy to install on the Magnetrac low-voltage magnetic track system

Features

- Aluminium housing
- 50mm wide to be mounted in the track
- Available in 161mm modules
- 0-90 degree tilt
- 360 degree rotate
- DALI track or switching
- Beam angle 15, 25,40 degrees
- Anti glare design
- 3000K or 4000K ra>90
- 8w LED 550lm