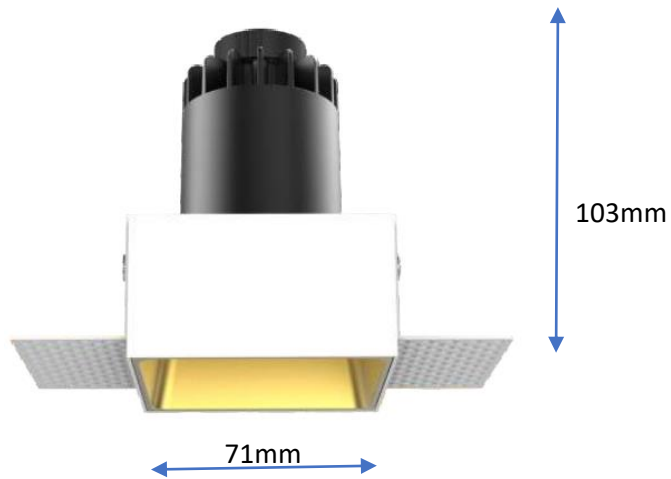




Professional Square Spot lights



Micro STA
Square reflector
colour options



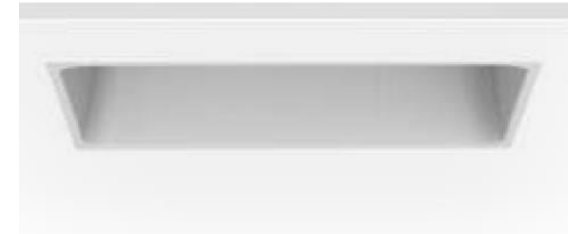
G- Gold



B- Black



W - White



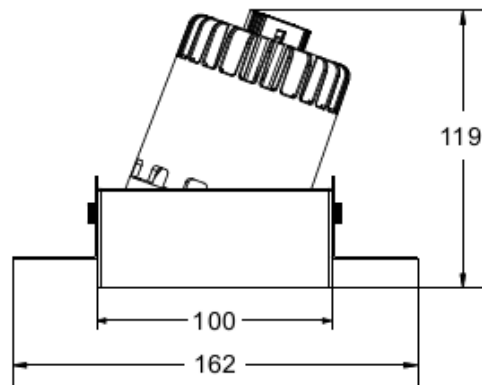
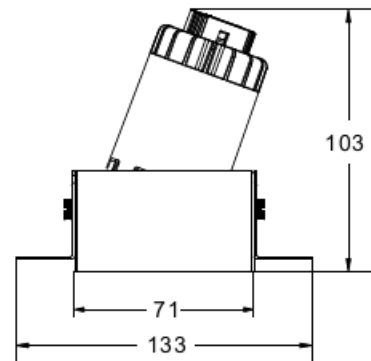
100mm

Description

With anti glare technology this recessed light will be welcome in any interior. A range of ring and diffuser colours will also mean this works with your interior scheme. Adjustable tilt 20 degrees

Features

- MICRO



Description

With anti glare technology this recessed light will be welcome in any interior. A range of diffuser colours will also mean this works with your interior scheme.

Features

- Aluminium housing
- Trimless plaster in design
- Adjustable tilt 0 to 25 degrees
- 100mm exposed aperture
- Anti glare design
- 3000K or 4000K Ra>90
- Beam angle 15/36/60 degrees
- Cutout 102x 102mm
- Dimming –DALI/1-10v/Switching
- 15w 1053 lumens
- 20w 1249 lumens



Description

With anti glare technology this recessed light will be welcome in any interior. A range of ring and diffuser colours will also mean this works with your interior scheme.

Features

- Aluminium housing
- 90mm with trim
- Anti glare design
- 3000K or 4000K Ra>90
- Beam angle 15/30/36 degrees
- Cutout 80 x 80mm
- Dimming –DALI/1-10v/Switching
- 8w 615 lumens
- 10w 725 lumens

Micro Square Reflectors colour



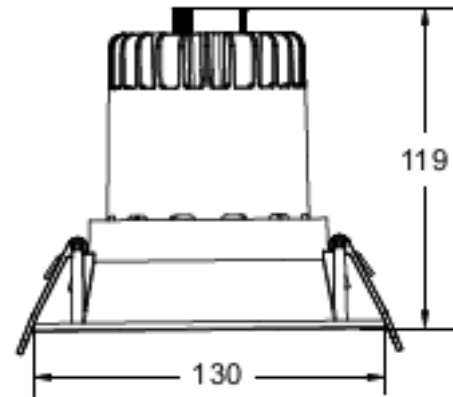
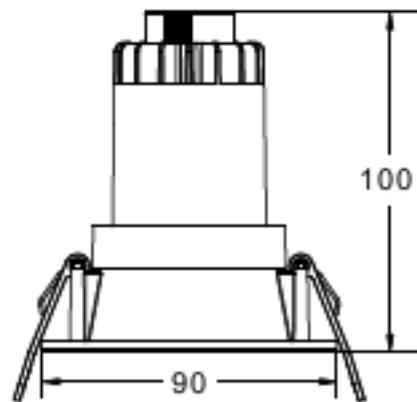
G- Gold



B- Black



W - White



Description

With anti glare technology this recessed light will be welcome in any interior. A range of diffuser colours will also mean this works with your interior scheme.

Features

- Aluminium housing
- 130mm with trim
- Anti glare design
- 3000K or 4000K Ra>90
- Beam angle 15/36/60 degrees
- Cutout 105x 105mm
- Dimming –DALI/1-10v/Switching
- 15w 1213 lumens
- 20w 1306 lumens



STAGE –I



STAGE –II



STAGE –III

Description

With anti glare technology this recessed single, double or triple spot will be welcome in any interior. Adjustable tilt and rotation. Variety of beam angles and outputs available.

Features

- Aluminium housing
- 93mm with trim
- Anti glare design
- 3000K or 4000K Ra>80
- Beam angle 15/36/60 degrees
- Cutout 82mm x 82mm (single)
- Dimming –DALI/1-10v/Switching
- IP44 rating optional
- 10w 920 lumens (single)
- 20w 1800 lumens (double)
- 30w 2700 lumens (triple)

