

Product: MICRO-STA trimless adjustable square LED downlight

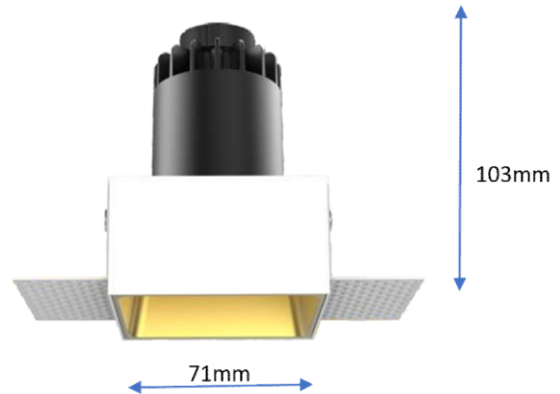


**Description:**

With anti glare technology this surface mounted light will be welcome in any interior.  
 A range of ring and diffuser colours will also mean this works with your interior scheme.  
 A higher lumen package than the NANO built for good illumination of the subject matter  
 Adjustable tilt 0-20 degrees. Trimless design for discreet applications

**Physical attributes:**

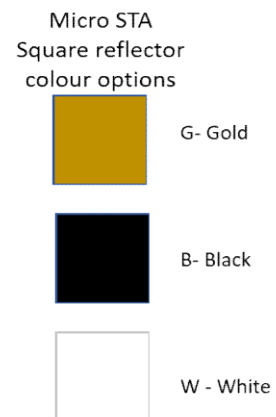
Width: 71mm square  
 Cutout: 72mm  
 Height: 103mm  
 Ceiling type: any  
 Mounting type: Recessed  
 Colour finish: white  
 Dimming protocol: DALI, mains, 1-10v



Description

**Lighting attributes:**

LED manufacturer: CREE  
 Driver manufacturer: Tridonic  
 Optics: Clear  
 Lumen output: 700 lumens  
 Power consumption: 10w  
 Colour temperature: 3000K, 4000K  
 Colour consistency: <3 Std MacAdam  
 Colour rendering: Ra>90  
 Rated LED lifetime: 50,000 hours  
 Emergency pack type: None  
 Warranty: 5 years  
 Beam Angle options: 15 or 36 degrees



Efficiency in luminaire lumens per circuit watt: **70**

